

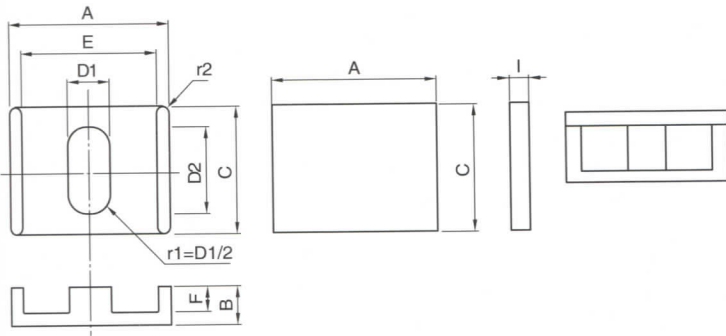
FERRITE CORES FOR POWER SUPPLY

EIRS コア プレーナ形、基板一体型トランス用 EIRS Cores Planer cores for board mounted power supply



形状・寸法/特性

Shapes and dimensions/Characteristics



形状 Type	通称 Alias	寸法 Dimensions(mm)										
		A	B+l	B	C	D1	D2	E	F min.	l	r1	r2
EIRS-9.2K	—	9.15±0.15	3.5	2.6±0.10	7.15±0.15	2.3±0.10	5.2±0.15	7.6±0.20	1.7±0.10	0.9±0.1	1.15	0.2
EIRS-11J	BM-11/2.0	11.0±0.20	3.02	2.01±0.10	8.80±0.20	2.78±0.10	6.40±0.15	9.17±0.20	1.00±0.10	1.01±0.05	1.39	0.3
EIRS-11H	BM-11/3.0	11.0±0.20	4.02	3.01±0.10	8.80±0.20	2.78±0.10	6.40±0.15	9.17±0.20	2.00±0.10	1.01±0.05	1.39	0.3
EIRS-13J	BM-13/2.2	13.0±0.25	3.38	2.19±0.10	10.40±0.20	3.29±0.10	7.56±0.15	10.83±0.20	1.00±0.10	1.19±0.05	1.645	0.3
EIRS-13H	BM-13/3.2	13.0±0.25	4.38	3.19±0.10	10.40±0.20	3.29±0.10	7.56±0.15	10.83±0.20	2.00±0.10	1.19±0.05	1.645	0.3
EIRS-15.5J	BM-15.5/2.9	15.5±0.30	4.34	2.92±0.10	12.40±0.25	3.92±0.10	9.01±0.20	12.92±0.25	1.50±0.10	1.42±0.10	1.96	0.3
EIRS-15.5H	BM-15.5/4.4	15.5±0.30	5.83	4.42±0.10	12.40±0.25	3.92±0.10	9.01±0.20	12.92±0.25	3.00±0.10	1.42±0.10	1.96	0.3
EIRS-18J	BM-18/3.7	18.0±0.3	5.30	3.65±0.10	14.40±0.25	4.55±0.10	10.47±0.20	15.0±0.30	2.00±0.10	1.65±0.10	2.275	0.3
EIRS-18H	BM-18/5.7	18.0±0.3	5.30	5.65±0.10	14.40±0.25	4.55±0.10	10.47±0.20	15.0±0.30	4.00±0.10	1.65±0.10	2.275	0.3
EIRS-20J	BM-20/3.8	20.0±0.35	2.66	3.83±0.10	16.00±0.3	5.06±0.15	11.63±0.20	16.67±0.30	2.00±0.10	1.83±0.10	2.53	0.5
EIRS-20H	BM-20/5.8	20.0±0.35	4.66	5.83±0.10	16.00±0.3	5.06±0.15	11.63±0.20	16.67±0.30	4.00±0.10	1.83±0.10	2.53	0.5
EIRS-22J	BM-22/4.0	22.0±0.40	6.04	4.02±0.10	17.6±0.30	5.56±0.15	12.79±0.25	18.33±0.35	2.00±0.10	2.02±0.10	2.78	0.5
EIRS-22H	BM-22/6.0	22.0±0.40	8.04	6.02±0.10	17.6±0.30	5.56±0.15	12.79±0.25	18.33±0.35	4.00±0.10	2.02±0.10	2.78	0.5
EIRS-25J	BM-25/4.3	25.0±0.45	6.58	4.29±0.10	20.00±0.35	6.32±0.15	14.54±0.25	20.83±0.35	2.00±0.10	2.29±0.10	3.16	0.5
EIRS-25H	BM-25/6.3	25.0±0.45	8.58	6.29±0.10	20.00±0.35	6.32±0.15	14.54±0.25	20.83±0.35	4.00±0.10	2.29±0.10	3.16	0.5

形状 Type	通称 Alias	AL value(nH/N ²)±25%					コア定数 Core parameters					Weight (g/set)
		MB1	MB3/MB4	MBT1	MBF4	MC2	C ₁ (mm ⁻¹)	Le(mm)	Ae(mm ²)	Amin(mm ²)	Ve(mm ³)	
EIRS-9.2K	—	1430	1600	1840	1470	1080	0.943	11.6	12.3	10.8	142	0.76
EIRS-11J	BM-11/2.0	1930	2170	2490	1980	1460	0.701	11.7	16.7	16.1	194	0.97
EIRS-11H	BM-11/3.0	1760	1990	2310	1810	1310	0.825	13.7	16.6	16.1	227	1.14
EIRS-13J	BM-13/2.2	2580	2920	3380	2660	1920	0.557	13.4	23.3	22.5	313	1.57
EIRS-13H	BM-13/3.2	2290	2600	3050	2360	1680	0.666	15.4	23.2	22.5	358	1.79
EIRS-15.5J	BM-15.5/2.9	3120	3560	4200	3210	2270	0.503	16.6	33.0	32.0	550	2.75
EIRS-15.5H	BM-15.5/4.4	2790	3210	3830	2880	2000	0.597	19.6	32.9	32.0	645	3.23
EIRS-18J	BM-18/3.7	3750	4330	5170	3880	2680	0.445	19.8	44.5	43.1	883	4.42
EIRS-18H	BM-18/5.7	3290	3830	4630	3400	2310	0.538	23.8	44.3	43.1	1060	5.30
EIRS-20J	BM-20/3.8	4380	5080	6100	4530	3110	0.392	21.6	55.0	53.2	1190	5.95
EIRS-20H	BM-20/5.8	3870	4520	5500	4010	2700	0.467	25.6	54.7	53.2	1400	7.00
EIRS-22J	BM-22/4.0	5010	5830	7040	5180	3530	0.351	23.3	66.6	64.4	1550	7.75
EIRS-22H	BM-22/6.0	4450	5220	6380	4620	3100	0.413	27.3	66.3	64.4	1810	9.05
EIRS-25J	BM-25/4.3	6010	7030	8550	6220	4190	0.302	26.0	86.1	83.2	2240	11.20
EIRS-25H	BM-25/6.3	5390	6340	7790	5590	3710	0.350	30.0	85.7	83.2	2570	12.85

Specifications which provide more details for the proper and safe use of the described product are available upon request.
All specifications are subject to change without notice.