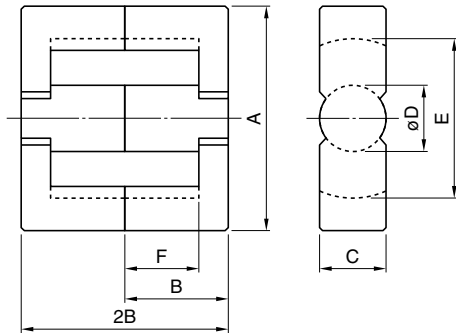


形状・寸法/特性

Shapes and dimensions/Characteristics



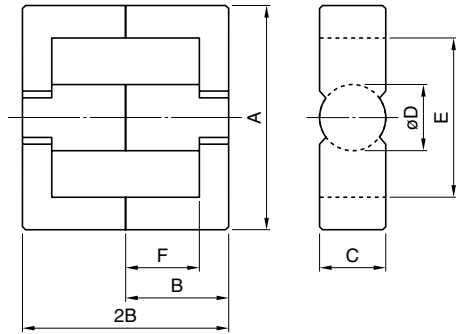
形状 Type	寸法 Dimensions(mm)								EC style	Bobbin
	A	2B	B	C	øD	E min.	2F min.	F		
EER-7.5D	7.50±0.15	5.00	2.50±0.10	4.00±0.10	2.60±0.10	5.60	3.36	1.75±0.07		
EER-9.3K	9.30±0.20	4.80	2.40±0.05	4.85±0.15	3.35±0.15	7.65	3.20	1.675±0.075		
EER-9.3S	9.35±0.15	3.95	1.975±0.05	4.90±0.10	3.40±0.10	7.48	2.00	1.075±0.075		
EER-10.8K	10.8±0.2	4.90	2.45±0.10	5.90±0.10	4.38±0.13	8.70	2.96	1.58±0.10		
EER-10.8S	10.83±0.18	3.85	1.925±0.05	5.90±0.10	4.13±0.13	8.70	1.95	0.975min.		
EER-10.8D	10.83±0.2	4.90	2.45±0.10	5.90±0.10	4.13±0.13	8.70	2.95	1.575±0.10		○
EER-12.4D	12.4±0.25	8.20	4.10±0.10	5.00±0.15	3.40±0.10	10.4	6.00	3.10±0.10		
EER-17.5S	17.5±0.5	16.5	8.25±0.20	5.05±0.25	5.05±0.25	13.0	12.5	6.25±0.10		
EER-24K	24.4±0.6	28.9	14.45±0.15	8.50±0.40	8.50±0.20	18.0	19.8	10.1±0.2		○
EER-25.5A	25.5±0.6	18.6	9.30±0.25	7.50±0.25	7.50±0.25	19.7	11.9	6.20±0.25		○
EER-25.5B	25.5±0.6	31.0	15.5±0.3	7.50±0.25	7.50±0.25	19.7	24.2	12.4±0.3		
EER-28.5U	28.5±0.6	16.7	8.35±0.20	11.4±0.3	9.90±0.30	21.1	9.00	4.65±0.15		○
EER-28.5T	28.5±0.6	21.8	10.9±0.3	11.4±0.3	9.90±0.20	21.1	12.6	6.50±0.20		
EER-28.5A	28.5±0.6	28.0	14.0±0.3	11.4±0.3	9.90±0.30	21.1	18.6	9.60±0.30		○
EER-28.5B	28.5±0.6	33.8	16.9±0.3	11.4±0.3	9.90±0.30	21.1	24.4	12.5±0.3		○
EER-30M	29.8±0.8	31.6	15.8±0.4	9.50±0.40	9.50±0.30	21.9	21.4	11.0±0.3		
EER-33S	33.0±0.5	26.0	13.0±0.2	14.0±0.25	12.5±0.25	24.7	16.5	8.50±0.25		
EER-33K	33.0±0.5	34.0	17.0±0.2	14.0±0.25	12.5±0.25	24.7	24.5	12.5±0.25		
EER-34.2	34.2±0.8	34.6	17.3±0.3	10.8±0.3	10.8±0.3	25.6	23.6	12.1±0.3		
EER-35H	35.0±0.7	33.6	16.8±0.3	11.3±0.3	11.3±0.3	25.6	21.0	10.8±0.3		
EER-35A	35.0±0.8	41.4	20.7±0.3	11.3±0.3	11.3±0.3	25.3	28.8	14.7±0.3		○
EER-35B	35.0±0.9	48.8	24.4±0.4	11.3±0.3	11.3±0.3	25.2	36.0	18.4±0.4		
EER-39J	39.0±0.7	44.4	22.2±0.3	12.8±0.3	12.8±0.3	28.6	33.5	17.0±0.25		○
EER-39.1	39.1±0.8	39.6	19.8±0.3	12.5±0.3	12.5±0.3	29.3	28.6	14.6±0.3		
EER-40H	40.0±0.5	42.3	21.15±0.2	15.0±0.2	14.0±0.25	30.7	29.9	15.15±0.2		○
EER-40D	40.0±0.5	44.8	22.4±0.2	13.3±0.25	13.3±0.25	29.0	30.3	15.4±0.25		○
EER-40	40.0±0.5	54.6	27.3±0.2	13.3±0.25	13.3±0.25	29.0	40.0	20.3±0.3		
EER-42	42.0±0.8	42.4	21.2±0.2	15.2±0.4	15.2±0.2	30.1	29.8	15.3±0.4		
EER-42P	42.0±0.5	42.4	21.2±0.2	19.6±0.4	17.3±0.25	31.8	30.0	15.25±0.25		○
EER-42D	42.0±0.6	44.8	22.4±0.2	15.5±0.25	15.5±0.25	29.4	30.2	15.4±0.3		○
EER-44	44.0±0.8	44.6	22.3±0.4	14.8±0.4	14.8±0.4	32.5	32.2	16.5±0.4		
EER-45	45.0±1.0	48.0	24.0±0.4	14.8±0.4	14.8±0.4	32.5	32.2	16.5±0.4		
EER-48.7	48.7±1.1	49.4	24.7±0.4	16.3±0.4	16.3±0.4	36.1	35.4	18.1±0.4		
EER-49M	49.0±0.8	47.8	23.9±0.3	17.2±0.4	17.2±0.25	36.3	30.2	15.4±0.3		
EER-49L	49.0±0.8	54.0	27.0±0.3	17.2±0.4	17.2±0.25	36.4	36.4	18.5±0.3		○
EER-49P	49.0±0.7	55.0	27.5±0.2	17.2±0.4	17.2±0.25	36.4	37.6	19.0±0.2		
EER-54K	54.2±0.8	49.4	24.7±0.25	18.8±0.4	18.8±0.4	40.0	33.8	17.2±0.3		
EER-90	90.0±1.8	90.0	45.0±0.65	30.0±1.0	30.0±1.0	68.5	70.0	35.5±0.5	○	○
EER-94	94.0±1.8	95.0	47.5±0.65	30.0±1.0	30.0±1.0	68.5	70.0	35.5±0.5	○	○
EER-120	120.0±2.0	101.0	50.5±0.65	30.0±1.0	30.0±1.0	93.3	70.0	35.5±0.5	○	○



形状 Type	AL value(nH/N ²)±25%				コア定数 Core parameters					Weight (g/set)
	MB1	MB3	MB4	MBT1	C ₁ (mm ⁻¹)	Le(mm)	Ae(mm ²)	Amin(mm ²)	Ve(mm ³)	
EER-7.5D	735	839	839	985	2.10	12.5	5.96	5.31	74.7	0.45
EER-9.3K	840	955	955	1110	1.74	14.0	8.04	8.81	113	0.69
EER-9.3S	1080	1210	1210	1390	1.27	11.9	9.31	9.07	111	0.66
EER-10.8K	1290	1460	1460	1700	1.15	14.3	12.3	15.1	176	1.1
EER-10.8S	1340	1510	1510	1740	1.04	12.4	12.0	10.2	149	0.90
EER-10.8D	1220	1380	1380	1610	1.21	14.4	12.0	10.2	173	0.98
EER-12.4D	620	700	700	996	2.53	23.4	9.27	8.88	217	1.2
EER-17.5S	940	1100	1100	1350	1.94	40.1	20.7	20.0	830	4.38
EER-24K	1920	2260	2260	2890	1.07	62.5	58.5	53.7	3660	19.8
EER-25.5A	1810	2000	2000	2670	1.08	47.6	44.2	42.4	2100	11.0
EER-25.5B	1280	1500	1500	1960	1.65	72.4	43.8	42.4	3170	16.3
EER-28.5U	3580	4170	4170	5160	0.524	42.9	81.9	77.0	3510	19.2
EER-28.5T	3300	3890	3890	4810	0.579	50.8	87.7	77.0	4450	25.5
EER-28.5A	2740	3270	3270	4120	0.744	63.4	85.2	77.0	5400	29.3
EER-28.5B	2370	2850	2850	3620	0.887	74.9	84.5	77.0	6340	34.0
EER-30M	2220	2650	2650	3340	0.925	70.7	76.4	70.9	5400	28.9
EER-33S	3990	4800	4800	5970	0.506	62.0	123	121	7610	40.6
EER-33K	3300	4200	4200	5040	0.637	78.0	122	121	9560	50.1
EER-34.2	2580	3200	3200	3950	0.820	79.2	96.6	91.6	7660	40.4
EER-35H	3090	3700	3700	4700	0.678	75.1	111	100	8310	45.1
EER-35A	2620	3300	3300	4050	0.822	90.4	110	100	9940	53.4
EER-35B	2280	2800	2800	3570	0.963	105	109	100	11500	60.9
EER-39J	2850	3500	3500	4440	0.766	102	133	129	13500	69.8
EER-39.1	2880	3480	3480	4470	0.749	92.9	124	123	11500	59.9
EER-40H	3530	4000	4000	5470	0.613	96.1	157	147	15000	79.9
EER-40D	3400	4300	4300	5280	0.638	97.5	153	139	14900	80.3
EER-40	2870	3490	3490	4520	0.773	117	151	139	17700	94.3
EER-42	4080	5200	5200	6320	0.531	96.6	182	178	17600	91.9
EER-42P	5150	6300	6300	7960	0.419	96.0	229	222	22000	116
EER-42D	4450	5200	5200	6890	0.487	97.8	201	189	19600	104
EER-44	3810	4400	4400	5930	0.573	103	179	169	18400	96.8
EER-45	3930	4760	4760	6130	0.558	106	190	172	20100	108
EER-48.7	4330	5260	5260	6780	0.509	113	221	209	24900	132
EER-49M	5090	6500	6500	7920	0.429	105	245	230	25900	140
EER-49L	4500	5570	5570	7070	0.493	119	241	225	28500	153
EER-49P	4430	5380	5380	6970	0.501	121	240	225	29000	155
EER-54K	5350	6000	6000		0.412	115	280	278	32200	169
EER-90	6720	8250	8250		0.347	215	619	559	133000	698
EER-94	7490	9210	9210		0.312	222	712	707	158000	819
EER-120	7430	9150	9150		0.318	250	788	707	197000	1070

形状・寸法／特性

Shapes and dimensions/Characteristics

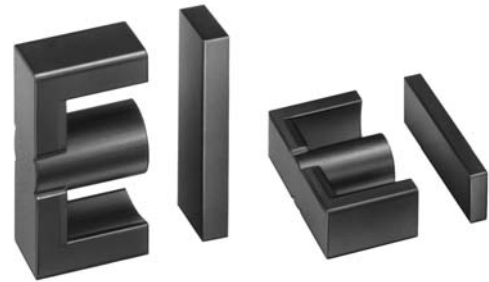
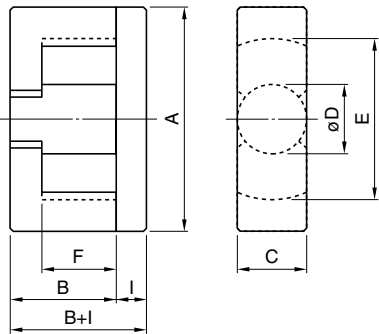


形状 Type	寸法 Dimensions(mm)							
	A	2B	B	C	øD	E min.	2F min.	F
EERS-16K	16.3±0.4	15.0	7.50±0.20	5.00±0.30	4.93±0.23	11.5	10.3	5.35±0.20
EERS-22K	22.0±0.4	22.5	11.25±0.3	6.65±0.25	6.65±0.25	15.5	14.2	7.25±0.15
EERS-22D	22.0±0.3	29.4	14.7±0.15	6.65±0.15	6.65±0.10	15.5	21.1	10.7±0.15
EERS-35K	35.35±0.35	33.6	16.8±0.25	11.3±0.15	11.3±0.25	26.0	21.2	10.8±0.2

形状 Type	AL value(nH/N ²)±25%				コア定数 Core parameters					Weight (g/set)
	MB1	MB3	MB4	MBT1	C ₁ (mm ⁻¹)	Le(mm)	Ae(mm ²)	Amin(mm ²)	Ve(mm ³)	
EERS-16K	1090	1250	1250	1580	1.73	35.6	20.6	19.1	732	3.9
EERS-22K	1610	1900	1900	2380	1.22	49.1	40.1	34.7	1970	10.9
EERS-22D	1300	1500	1500	1960	1.60	62.8	39.3	34.7	2470	13.5
EERS-35K	3010	3610	3610	4580	0.695	75.6	109	100	8220	44.7

形状・寸法/特性

Shapes and dimensions/Characteristics

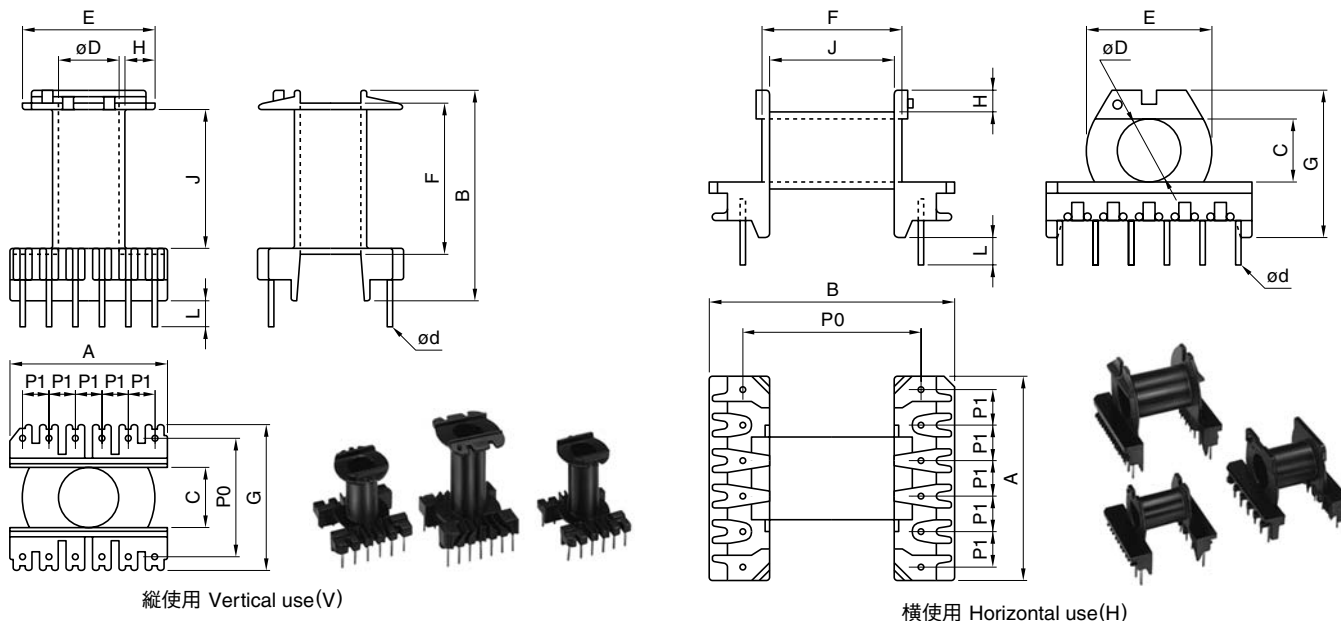


形状 Type	寸法 Dimensions(mm)								Bobbin
	A	B+l	B	C	øD	E min.	F	l	
EIR-12.4D	12.4±0.25	5.00±0.20	4.10±0.10	5.00±0.15	3.40±0.10	10.4	3.10±0.10	0.90±0.10	
EIR-25.5	25.5±0.6	18.6±0.5	15.5±0.3	7.50±0.25	7.50±0.25	19.7	12.4±0.3	3.10±0.20	○
EIR-28.5P	28.5±0.6	16.7±0.4	13.7±0.2	11.4±0.25	9.90±0.25	21.0	9.30±0.30	3.00±0.20	○
EIR-28.5N	28.5±0.6	17.6±0.4	14.6±0.2	11.4±0.3	9.90±0.30	21.1	10.2±0.2	3.00±0.20	
EIR-28.5	28.5±0.6	21.3±0.5	16.9±0.3	11.4±0.3	9.90±0.30	21.1	12.5±0.3	4.40±0.20	
EIR-30K	30.0±0.5	26.5±0.5	21.5±0.2	12.0±0.2	12.0±0.2	20.2	16.5±0.2	5.00±0.30	
EIR-35	35.0±0.9	29.4±0.55	24.4±0.3	11.3±0.3	11.3±0.25	25.2	18.4±0.4	5.00±0.25	
EIR-40	40.0±0.8	34.3±0.7	27.3±0.4	13.3±0.3	13.3±0.3	27.25	20.3±0.4	7.00±0.30	
EIR-90	90.0±1.8	55.0±0.95	45.0±0.65	30.0±1.0	30.0±1.0	68.5	35.5±0.5	10.0±0.3	
EIR-94	94.0±1.8	59.5±0.95	47.5±0.65	30.0±1.0	30.0±1.0	68.5	35.5±0.5	12.0±0.3	

形状 Type	AL value(nH/N²)±25%				コア定数 Core parameters					Weight (g/set)
	MB1	MB3	MB4	MBT1	C ₁ (mm ⁻¹)	Le(mm)	Ae(mm ²)	Amin(mm ²)	Ve(mm ³)	
EIR-12.4D	710	800	800	1290	1.85	17.1	9.21	8.88	157	0.85
EIR-25.5	1850	2200	2200	2750	1.08	47.6	44.3	42.4	2110	11.1
EIR-28.5P	3610	4170	4170	5240	0.526	42.4	80.6	68.4	3420	19.2
EIR-28.5N	3500	4300	4300	5100	0.548	44.2	80.6	68.4	3560	19.9
EIR-28.5	3410	4300	4300	5030	0.578	50.0	86.6	77.0	4330	24.0
EIR-30K	4140	4930	4930	6180	0.486	57.8	119	113	6880	37.0
EIR-35	3350	4010	4010	5070	0.621	67.9	109	100	7430	40.2
EIR-40	4280	5140	5140	6530	0.492	76.6	156	139	11900	65.4
EIR-90	9560	11700	11700		0.237	145	614	544	89100	486
EIR-94	10700	13100	13100		0.212	151	713	707	108000	582

形状・寸法

Shapes and dimensions



品名 Part No.	寸法 Dimension(mm)													No. of terminal pins	コア方向*2 Core direction	適合コア Applied core	
	A max.	B max.	C*1 min.	øD*1 min.	E*1 max.	F*1 max.	G max.	H min.	J min.	P1	P0	ød	L			EER core	EIR core
BER10.8LD10	11	5.05	6.1	4.4	8.6	2.95	12.6	1.5	2.1	2.0	11	□0.7	1.4	5-5	SMD	EER10.8K	
BER24AP12	29.0	35.3	9.0	8.8	17.6	19.7	21.0	3.4	17.6	5.0	25.0	0.8	3.9	6-6	H	EER24K	
BER25.5KP8	22.0	19.0	7.9	7.9	19.5	11.9	19.6	4.5	9.8	5.0	12.5	0.8	5.0	4-4	V	EER25.5A	EIR25.5
BER28.5KP10	25.0	26.5	11.8	10.3	20.9	18.5	23.0	4.1	16.2	5.0	17.5	0.8	5.0	5-5	V	EER28.5A	
BER28.5SP12	31.0	26.4	11.8	10.3	21.0	18.4	26.0	4.3	16.6	5.0	17.5	0.8	3.6	6-6	V	EER28.5A	
BER28.5TP12	31.0	26.4	11.8	10.3	21.0	18.4	26.0	4.3	16.6	5.0	22.0	0.8	3.6	6-6	V	EER28.5A	
BER28.5LP10	25.0	32.3	11.8	10.2	20.9	24.3	23.0	4.1	22.0	5.0	17.5	0.8	5.0	5-5	V	EER28.5B	
BER28.5MP12	28.5	33.2	11.8	10.3	21.1	24.3	26.0	4.3	22.2	5.0	17.5	1.0	3.6	6-6	V	EER28.5B	
BER28.5NP12	28.5	33.2	11.8	10.3	21.1	24.3	26.0	4.3	22.2	5.0	22.0	1.0	3.6	6-6	V	EER28.5B	
BER28.5RP12	29.0	38.0	11.8	10.3	20.9	24.3	25.0	4.3	21.8	5.0	30.0	0.8	4.0	6-6	H	EER28.5B	
BER28.5AP10	25.0	15.5	11.8	10.2	20.9	9.0	23.0	4.2	7.2	5.0	17.5	0.8	4.1	5-5	V	EER28.5U	EIR28.5P
BER35KP12	30.2	40.2	11.6	11.6	25.3	28.6	27.5	5.6	26.3	5.0	22.5	1.0	5.0	6-6	V	EER35A	
BER35MP16	40.0	44.0	11.8	11.6	25.3	28.8	29.2	5.8	26.5	5.0	35.0	1.0	5.0	8-8	H	EER35A	
BER39KP14	34.2	44.7	13.2	13.2	28.4	33.4	29.2	6.4	30.8	5.0	25.0	1.0	4.0	7-7	V	EER39J	
BER39LP16	40.2	33.0	13.1	13.1	28.4	33.6	33.1	6.3	27.8	5.0	35.0	1.0	3.5	8-8	H	EER39J	
BER40KP12	30.0	41.1	13.7	13.7	28.7	29.8	30.0	6.3	27.3	5.0	25.0	1.0	5.0	6-6	V	EER40D	
BER40LP16	40.2	46.0	13.7	13.7	28.7	29.8	32.7	6.3	27.3	5.0	35.0	1.0	5.0	8-8	H	EER40D	
BER40MP16	40.2	44.8	15.5	14.5	30.4	29.5	34.5	6.8	27.3	5.0	35.0	1.0	6.5	8-8	H	EER40H	
BER42KP14	38.0	41.0	15.9	15.9	29.0	29.9	29.2	5.4	27.2	5.0	25.0	1.0	5.0	7-7	V	EER42D	
BER42LP16	40.2	44.0	15.9	15.9	29.0	29.9	34.7	5.4	27.4	5.0	35.0	1.0	5.0	8-8	H	EER42D	
BER42AP14	35.2	41.6	20.2	17.7	31.5	29.9	35.2	5.5	27.2	5.0	30.0	1.0	4.5	7-7	V	EER42P	
BER49AP18	49.0	50.2	17.7	17.6	36.2	36.4	37.0	8.0	33.6	5.0	28.0	1.0	5.0	9-9	V	EER49L	
BER90AB	80.0	89.3	31.3	31.3	67.3	69.3	76.8	20.7	64.9	20.0	50.0			3-3	V	EER90, 94	

*1 コア 勘合面 *2 V=縦使用 Vertical use, H=横使用 Horizontal use