

Model NO : #CDH104R L ***

Features

- * low profile, high power, low dcr .
- * compact size with high performance core structure.
- * green product version.
- * custom designs available.
- * closed magnetic circuit construction for high density board assembly .



Application

- * notebook computers.
- * dc-dc convertors.
- * dc-ac inverter
- * vga card.



Electrical characteristics

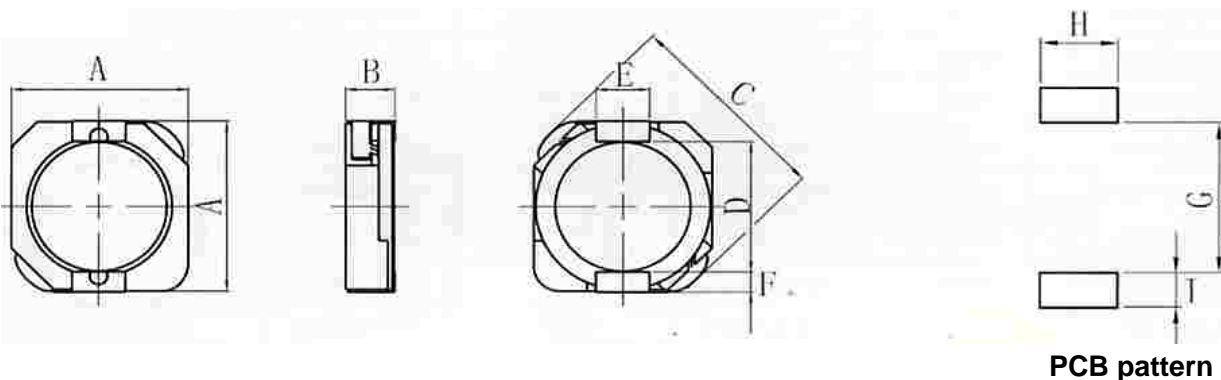
parts No	D.C.R(Ω) MAX	Rated current A※3	parts No	D.C.R(Ω) MAX	Rated current A※3	parts No	D.C.R(Ω) MAX	Rated current A※3
1R2	12m	5.40	680	338m	1.35			
2R2	17m	4.95	820	384m	1.26			
3R3	22m	4.35	101	429m	1.17			
3R9	26m	4.05	151	611m	1.05			
5R6	33m	3.80	221	939m	900m			
100	60m	3.15	271	1.17	720m			
150	78m	2.90	331	1.3	530m			
220	107m	2.50	391	1.56	450m			
330	133m	2.00	471	1.76	405m			
470	241m	1.80						
560	260m	1.62						

NOTE :

- ※1. Measuring Frequency (F) : $L \leq 8.2\mu\text{H}$ 100KHZ/0.25V $L \geq 10\mu\text{H}$ 1KHZ/0.25V
- ※2. Tolerance of Inductance : $L \leq 8.2\mu\text{H}$ $\pm 30\%$ $L \geq 10\mu\text{H}$ $\pm 20\%$
- ※3. Rated Current : This indicates the value of current when the inductance is 35% lower than its initial value at D.C.superposition or D.C.current when $\Delta T=40^\circ\text{C}$ whichever is lower .($T_a=20^\circ\text{C}$)
- ※4. Inductance value . 1R0:1.0(uH) ; 100:10(uH) ; 101:100(uH) ; 102:1000(uH) ;

Physical dimension : (UNIT:mm)

Type	A(max)	B(max)	C(max)	D	E	F	G	H	I
#CDH104R	10.50	4.00	13.50	7.70	3.00	1.20	7.30	3.20	1.60



Please refer to the sales offices on our website for a representative near you

URL: <http://www.selmag.com.cn>

Model NO : #CDH125 L ***

Features

- * low profile, high power, low dcr .
- * compact size with high performance core structure.
- * green product version.
- * custom designs available.
- * closed magnetic circuit construction for high density board assembly .



Application

- * power supply for VTR,OA equipment
- * digital camera.LCD television set
- * notebook PC ,portable communication equipments,
- * DC/DC converters,etc



Electrical characteristics

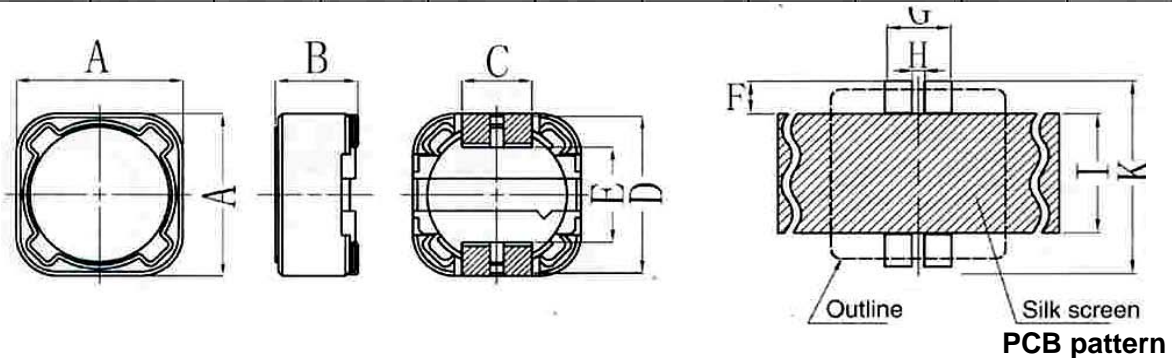
parts No	D.C.R(Ω) MAX	Rated current A※3	parts No	D.C.R(Ω) MAX	Rated current A※3	parts No	D.C.R(Ω) MAX	Rated current A※3
1R2	8m	8.00	470	75m	1.80	391	650m	650m
2R2	10m	7.00	560	99m	1.70	471	715m	580m
5R6	17m	4.40	680	117m	1.50	561	858m	540m
100	23m	4.00	820	143m	1.40	681	1.02	480m
120	26m	3.50	101	156m	1.30	821	1.34	430m
150	29m	3.30	121	169m	1.10	102	1.53	400m
180	34m	3.00	151	247m	1.00			
220	36m	2.80	181	286m	900m			
270	44m	2.30	221	403m	800m			
330	57m	2.10	271	455m	750m			
390	68m	2.00	331	507m	680m			

NOTE :

- ※1. Measuring Frequency (F) : $L \leq 8.2\mu\text{H}$ 100KHZ/0.25V $L \geq 10\mu\text{H}$ 1KHZ/0.25V
- ※2. Tolerance of Inductance : $L \leq 8.2\mu\text{H}$ $\pm 30\%$ $L \geq 10\mu\text{H}$ $\pm 20\%$
- ※3. Rated Current : This indicates the value of current when the inductance is 35% lower than its initial value at D.C.superposition or D.C.current when $\Delta T=40^\circ\text{C}$ whichever is lower .($T_a=20^\circ\text{C}$)
- ※4. Inductance value . 1R0:1.0(uH) ; 100:10(uH) ; 101:100(uH) ; 102:1000(uH) ;

Physical dimension : (UNIT:mm)

Type	A(max)	B(max)	C	D	E	F	G	H	I	K
#CDH125	12.30	6.00	5.00	12.00	7.60	2.80	5.40	0.50	7.00	12.80



Please refer to the sales offices on our website for a representative near you

URL: <http://www.selmag.com.cn>

Model NO : #CDH127 L ***

Features

- * low profile, high power, low dcr .
- * compact size with high performance core structure.
- * green product version.
- * custom designs available.
- * closed magnetic circuit construction for high density board assembly .



Application

- * power supply for VTR,OA equipment
- * digital camera.LCD television set
- * notebook PC ,portable communication equipments,
- * DC/DC converters,etc



Electrical characteristics

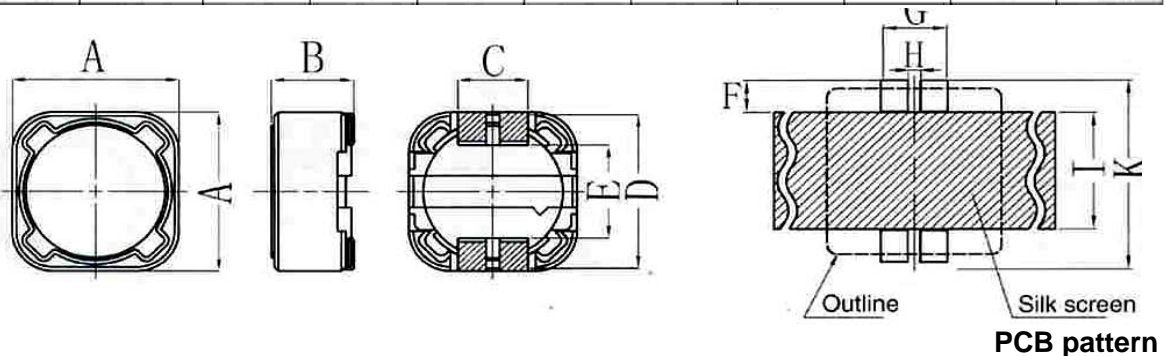
parts No	D.C.R(Ω) MAX	Rated current A※3	parts No	D.C.R(Ω) MAX	Rated current A※3	parts No	D.C.R(Ω) MAX	Rated current A※3
1R0	5m	11.50	330	60m	3.00	271	408m	1.06
1R8	7m	9.60	390	64m	2.75	331	468m	950m
2R5	8m	8.20	470	91m	2.50	391	644m	880m
4R7	15m	6.80	560	99m	2.35	471	709m	790m
6R8	17m	6.50	680	130m	2.10	561	793m	730m
100	21m	5.40	820	143m	1.95	681	904m	670m
120	23m	4.90	101	156m	1.71	821	1.13	600m
150	31m	4.50	121	218m	1.60	102	1.29	550m
180	34m	3.90	151	247m	1.42			
220	38m	3.60	181	267m	1.30			
270	52m	3.30	221	299m	1.16			

NOTE :

- ※1. Measuring Frequency (F) : $L \leq 8.2\mu\text{H}$ 100KHZ/0.25V $L \geq 10\mu\text{H}$ 1KHZ/0.25V
- ※2. Tolerance of Inductance : $L \leq 8.2\mu\text{H}$ $\pm 30\%$ $L \geq 10\mu\text{H}$ $\pm 20\%$
- ※3. Rated Current : This indicates the value of current when the inductance is 35% lower than its initial value at D.C.superposition or D.C.current when $\Delta T=40^\circ\text{C}$ whichever is lower .($T_a=20^\circ\text{C}$)
- ※4. Inductance value . 1R0:1.0(uH) ; 100:10(uH) ; 101:100(uH) ; 102:1000(uH) ;

Physical dimension : (UNIT:mm)

Type	A(max)	B(max)	C	D	E	F	G	H	I	K
# CDH127	12.30	8.00	5.00	12.00	7.60	2.80	5.40	0.50	7.00	12.80



Please refer to the sales offices on our website for a representative near you

URL: <http://www.selmag.com.cn>

Model NO #CDH64 L ***

Features

- * low profile, high power, low dcr .
- * compact size with high performance core structure.
- * green product version.
- * custom designs available.
- * closed magnetic circuit construction for high density board assembly .



Application

- * power supply for VTR,OA equipment
- * digital camera.LCD television set
- * notebook PC ,portable communication equipments,
- * DC/DC converters,etc



Electrical characteristics

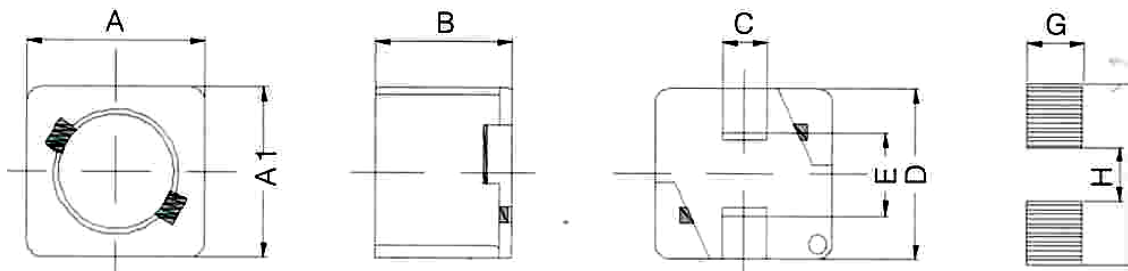
parts No	D.C.R(Ω) MAX	Rated current A※3	parts No	D.C.R(Ω) MAX	Rated current A※3	parts No	D.C.R(Ω) MAX	Rated current A※3
100	120m	1.35	820	710m	460m	681	7.32	170m
120	130m	1.22	101	1.03	420m	821	8.24	150m
150	180m	1.11	121	1.15	380m	102	9.26	140m
180	240m	1.02	151	1.68	350m			
220	270m	910m	181	1.87	320m			
270	300m	820m	221	2.08	290m			
330	330m	740m	271	2.37	260m			
390	370m	690m	331	2.67	230m			
470	520m	620m	391	2.94	220m			
560	560m	580m	471	3.39	200m			
680	630m	510m	561	5.43	180m			

NOTE :

- ※1. Measuring Frequency (F) : $L \leq 8.2\mu\text{H}$ 100KHZ/0.25V $L \geq 10\mu\text{H}$ 1KHZ/0.25V
- ※2. Tolerance of Inductance : $L \leq 8.2\mu\text{H}$ $\pm 20\%$ $L \geq 10\mu\text{H}$ $\pm 10\%$
- ※3. Rated Current : This indicates the value of current when the inductance is 35% lower than its initial value at D.C.superposition or D.C.current when $\Delta T=40^\circ\text{C}$ whichever is lower .($T_a=20^\circ\text{C}$)
- ※4. Inductance value . 1R0:1.0(uH) ; 100:10(uH) ; 101:100(uH) ; 102:1000(uH) ;

Physical dimension : (UNIT:mm)

Type	A(Max)	A ₁ (Max)	B(Max)	C	D	E	F	G	H	I
#CDH64	6.50	6.20	5.00	1.50	6.00	2.80		2.50	4.00	8.10



PCB pattern

Please refer to the sales offices on our website for a representative near you

URL: <http://www.selmag.com.cn>