

**Features**

1. Compact, light, easy surface mounting
2. Automated mounting and reflow soldering
3. High impedance and low loss
4. The products contain no lead and also support lead-free solder
5. All materials ROHS compliance and use are UL listed



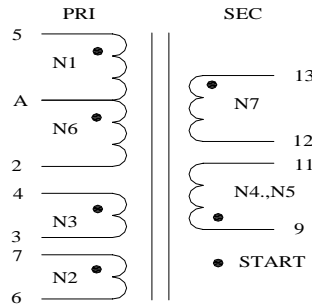
**Application**

1. Switching power supply
2. Computer products
3. DVD
4. DC-DC converter

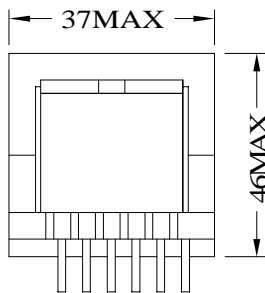
**Electrical characteristics**

Model No.	Winding ratio Primary secondary	Inductance	secondary leakage inductance	DC Resistance at:25°C	Insulation withstand voltage	Test frequency voltage (KHz/V)
ERL35T45L5	(5-2):(13-12)=55:2 (5-2):(9-11)=11:3 (5-2):(7-6)=11:3 (5-2):(4-3)=55:3	(5-2)=5mH MIN	10uH MAX (sec short)	(5-2)=350mΩ MAX (9-11)=100mΩ MAX (7-6)=250mΩ MAX (4-3)=30mΩ MAX	pri to sec AC 3KV/5mA 1SEC pri to core AC 1.0KV/5mA 1SEC sec to core AC 1.0KV/5mA 1SEC	1KHz/0.25V

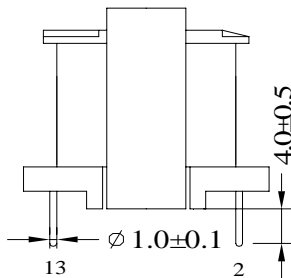
**Schematics(bottom)**



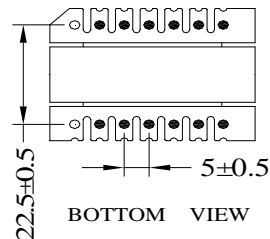
**Shapes and dimensions unit: mm**



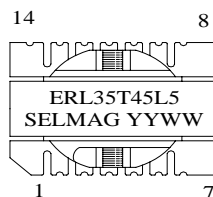
ELEVATION VIEW



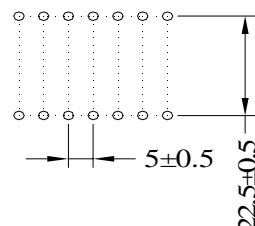
SIDE VIEW



BOTTOM VIEW



TOP VIEW



Recommended landing dimensions