

**Features**

1. Compact,light,easy surface mounting
2. Autometed mounting and reflow soldering
3. High impedance and low loss
4. The products contain no lead and also support lead-free solder
- 5, All matrials ROHS compliance and use are UL listed



**Application**

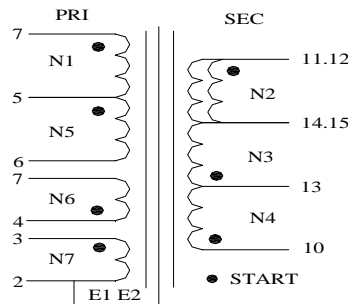
1. Switching power supply
2. Computer products
3. DVD
4. DC-DC converter



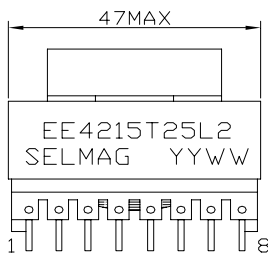
**Electrical characteristics**

Model No.	Winding ratio Primary secondary	Inductance	secondary leakage inductance	DC Resistance at:25°C	Insulation withstand voltage	Test frequency voltage (KHz/V)
EE4215T25L2	(7-6):(10-14.15)=25:6 (7-6):(11-14)=25:12 (7-6):(4-7)=1:1 (7-6):(3-2)=25:3	(7-6)=2mH MIN	10uH MAX (sec short)	(7-6)=98mΩ MAX (4-7)=320mΩ MAX (3-2)=45mΩ MAX (10-14.15)=60mΩ MAX (11-14)=30mΩ MAX	pri to sec AC 3KV/5mA 1SEC pri to core AC 1.5KV/5mA 1SEC sec to core AC 1.5KV/5mA 1SEC	1KHz/0.25V

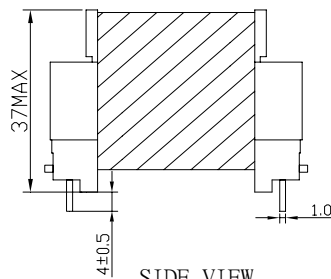
**Schematics(bottom)**



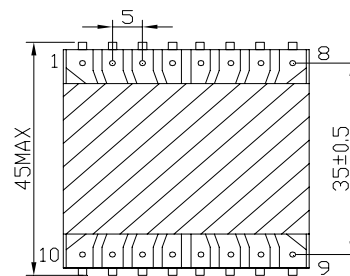
**Shapes and dimensions unit: mm**



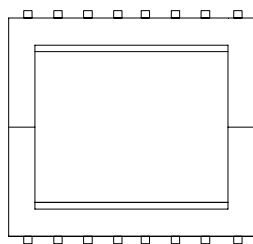
ELEVATION VIEW



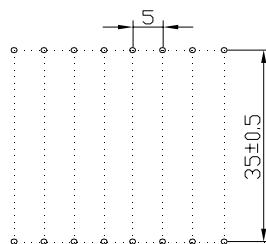
SIDE VIEW



BOTTOM VIEW



TOP VIEW



Recommended landing dimensions