

Features

1. Compact,light,easy surface mounting
2. Autometed mounting and reflow soldering
3. High impedance and low loss
4. The products contain no lead and also support lead-free solderir
- 5, All matrials ROHS compliance and use are UL listed



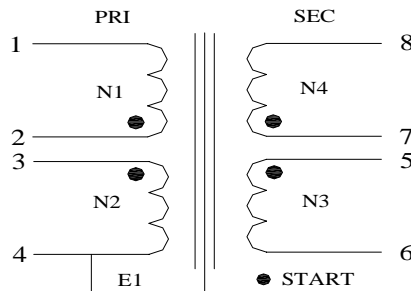
Application

1. Switching power supply
2. Computer products
3. DVD
4. DC-DC converter

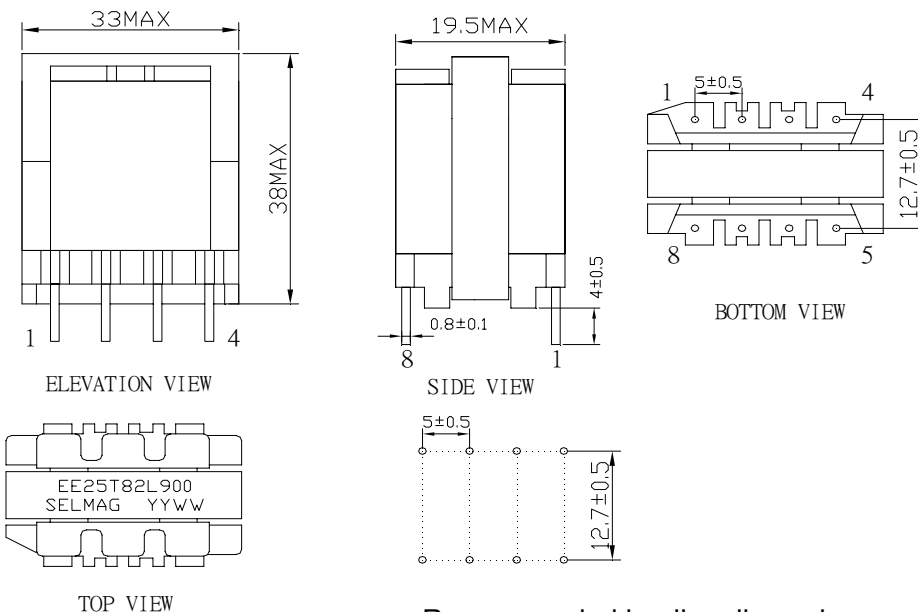
Electrical characteristics

Model No.	Winding ratio Primary secondary	Inductance	secondary leakage inductance	DC Resistance at:25°C	Insulation withstand voltage	Test frequency voltage (KHz/V)
EE25T82L900	(2-1):(3-4)=82:13 (2-1):(5-6)=41:10 (2-1):(7-8)=41:5	(2-1)=900uH±10%	92uH MAX (sec short)	(2-1)=700mΩ MAX (3-4)=165mΩ MAX (5-6)=180mΩ MAX (7-8)=150mΩ MAX	pri to sec AC 3.0KV/5mA 1SEC pri to core AC 1.0KV/5mA 1SEC sec to core AC 1.0KV/5mA 1SEC	1KHz/0.25V

Schematics(bottom)



Shapes and dimensions unit: mm



Recommended landing dimensions